

22M festoon string of 10 LED modules with fixing holes for installation



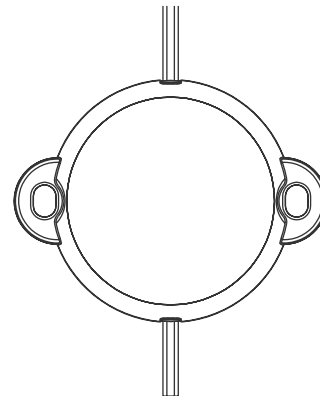
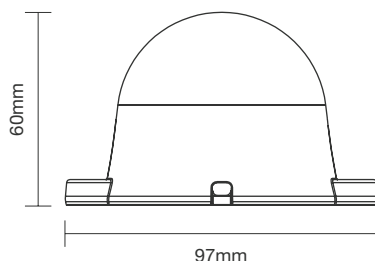
OVERVIEW

The LED Module Festoon is designed to give an unique combination of great light output, low running costs, and robust construction. Ultrasonically sealed modules eliminate the unscrewing of the lens which sets this product apart from the more traditional festoons, whilst built-in mounting points remove the need for ceiling hooks or poles.

MAIN FEATURES

Key points

- Designed to give a great light output, low running costs and robust construction
- Ultrasonically sealed modules eliminate the unscrewing of the lens
- Built-in mounting points remove the need for ceiling hooks or poles
- 22M string with 10 modules 2M apart
- Heat and glass free makes the units very safe
- Diffused lens reduces light glare



SPECIFICATION

Product

- Part Number - E89816
- Product Dimensions - 97 x 60mm (LxH)
- Product Weight - 2.15KG
- Body Material - PC
- Energy Rating - Erp A+
- Product Colour - Yellow
- Frequency - 50Hz
- Operating Temp - -20° ~ 40°

Packaging

- Packaging Dimensions - 250 x 265 x 305mm (LxWxH)
- Packaging Weight - 2.4KG
- Packaging Bar Code - 5056122013089
- Packaging - Full Colour

Shipping

- Packaging Dimensions - 520 x 265 x 305mm (LxWxH)
- Carton Weight - 10.32KG
- Carton Bar Code - 15056122013260
- Quantity Per Carton - 4pcs

Power

- Wattage Output - 50W
- Voltage - 110V
- IP Rating - IP44
- Amps - 16A
- Electrical Class - Class II

Lamp

- Light Output - 4000 Lumens
- LEDs - 10x 5W LED modules
- Colour Temp - 6500K (Bright White)
- Beam Length - max 18M
- Light Spread - 180°
- Lens Material - PC

Plugs & Cables

- Plug Type - 16A CEE Plug
- Cable Type - H05VVH2-F 2G x 75mm²
- Cable Length - 3M then 2M spacing between 10 LED light modules

OTHER THINGS YOU MAY WANT TO KNOW

Handing Hooks

- Part Number - E86330
- Available in packs of 10
- Multiple hooks for festoon cables
- Material - ABS Construction
- Fixing/hanging points



22M festoon string of 10 LED modules with fixing holes for installation



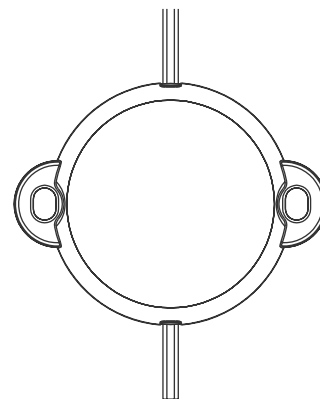
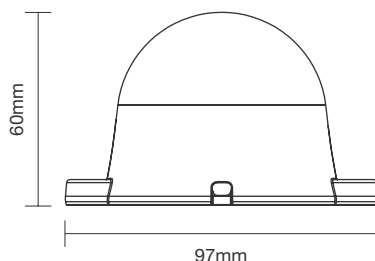
OVERVIEW

The LED Module Festoon is designed to give an unique combination of great light output, low running costs, and robust construction. Ultrasonically sealed modules eliminate the unscrewing of the lens which sets this product apart from the more traditional festoons, whilst built-in mounting points remove the need for ceiling hooks or poles.

MAIN FEATURES

Key points

- Designed to give a great light output, low running costs and robust construction
- Ultrasonically sealed modules eliminate the unscrewing of the lens
- Built-in mounting points remove the need for ceiling hooks or poles
- 22M string with 10 modules 2M apart
- Heat and glass free makes the units very safe
- Diffused lens reduces light glare



SPECIFICATION

Product

- Part Number - E89817
- Product Dimensions - 97 x 60mm (LxH)
- Product Weight - 2.1KG
- Body Material - PC
- Energy Rating - Erp A+
- Product Colour - Yellow
- Frequency - 50Hz
- Operating Temp - -20° ~ 40°

Packaging

- Packaging Dimensions - 250 x 250 x 140mm (LxWxH)
- Packaging Weight - 2.3KG
- Packaging Bar Code - 5056122013096
- Packaging - Full Colour

Shipping

- Packaging Dimensions - 520 x 265 x 305mm (LxWxH)
- Carton Weight - 10.2KG
- Carton Bar Code - 15056122013277
- Quantity Per Carton - 4pcs

Power

- Wattage Output - 50W
- Voltage - 240V
- IP Rating - IP20
- Amps - 13A
- Electrical Class - Class II

Lamp

- Light Output - 4000 Lumens
- LEDs - 10x 5W LED modules
- Colour Temp - 6500K (Bright White)
- Beam Length - max 18M
- Light Spread - 180°
- Lens Material - PC

Plugs & Cables

- Plug Type - 13A BS Plug
- Cable Type - H05VVH2-F 2G x 75mm²
- Cable Length - 3M then 2M spacing between 10 LED light modules

OTHER THINGS YOU MAY WANT TO KNOW

Handing Hooks

- Part Number - E86330
- Available in packs of 10
- Multiple hooks for festoon cables
- Material - ABS Construction
- Fixing/hanging points

